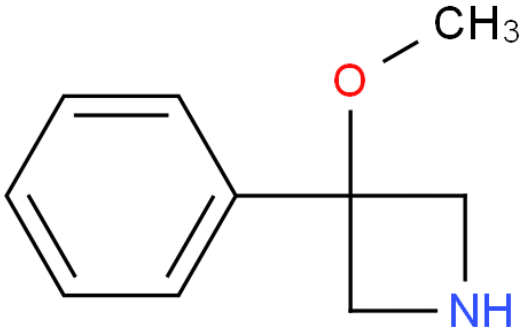


[ CAS No.: 35903-73-2 ] 3-methoxy-3-phenylazetidine

	CAS No. :	35903-73-2
	Cat. No. :	A1024071
	Formula :	C10H13NO
	Purity :	97%
	M.W :	163.22
	Appearance	
	Synonyms :	
	MDL No. :	
	Storage :	Store in 2-8°C for long term (months)
	InChI Key :	UQZZKRPLWZRFPB-UHFFFAOYSA-N
	Pubchem ID :	
	Boiling Point :	

Safety of [35903-73-2]			
Signal Word :		Class :	
Precautionary Statements :		UN# :	
Hazard Statements :		Packing Group :	
GHS Pictogram :			

All chemicals from Amadis Chemical are for laboratory or manufacturing use only.

Product Url : <https://www.amadischem.com/product-A1024071>

## Order & Inquiry

0086-571-89925085  
sales@amadischem.com

## Support Team

sales@amadischem.com