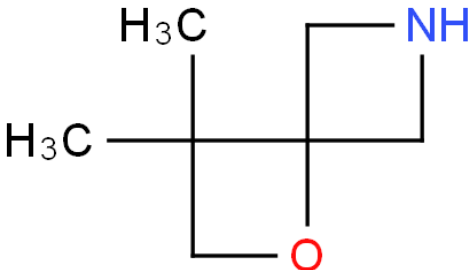


[ CAS No.: 1073234-27-1 ] 3,3-dimethyl-1-oxa-6-azaspiro[3.3]heptane

	CAS No. :	1073234-27-1
	Cat. No. :	A1026047
	Formula :	C7H13NO
	Purity :	97%
	M.W :	127.18
	Appearance	
	Synonyms :	
	MDL No. :	
	Storage :	Store in 2-8°C for long term (months)
	InChI Key :	GRFSDBYFYGZOCN-UHFFFAOYSA-N
	Pubchem ID :	
	Boiling Point :	174 °C

Safety of [1073234-27-1]			
Signal Word :		Class :	
Precautionary Statements :		UN# :	
Hazard Statements :		Packing Group :	
GHS Pictogram :			

All chemicals from Amadis Chemical are for laboratory or manufacturing use only.

Product Url : <https://www.amadischem.com/product-A1026047>

## Order & Inquiry

0086-571-89925085  
sales@amadischem.com

## Support Team

sales@amadischem.com