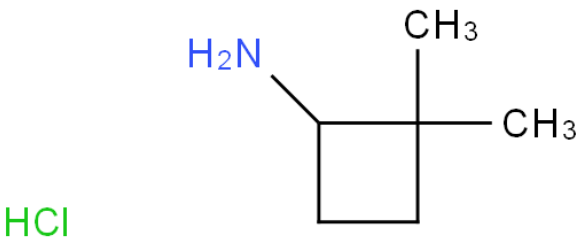


[ CAS No.: 1803562-44-8 ] 2,2-dimethylcyclobutanamine;hydrochloride

	CAS No. :	1803562-44-8
	Cat. No. :	A1072651
	Formula :	C6H14ClN
	Purity :	97%
	M.W :	135.64
	Appearance	
	Synonyms :	
	MDL No. :	MFCD26959272
	Storage :	Store in 2-8°C for long term (months)
	InChI Key :	YGDUGBJDOBKECZ-UHFFFAOYSA-N
	Pubchem ID :	
	Boiling Point :	

Safety of [1803562-44-8]			
Signal Word :	warning	Class :	
Precautionary Statements :	P264+P280+P305+P351+P338+P337+P313	UN# :	
Hazard Statements :	H303+H313+H333	Packing Group :	
GHS Pictogram :			

All chemicals from Amadis Chemical are for laboratory or manufacturing use only.

Product Url : <https://www.amadischem.com/product-A1072651>

## Order & Inquiry

0086-571-89925085  
sales@amadischem.com

## Support Team

sales@amadischem.com