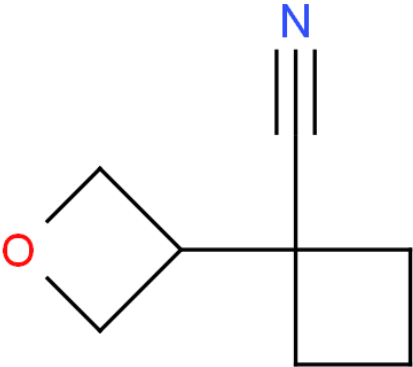


[ CAS No.: 1890510-06-1 ] 1-(oxetan-3-yl)cyclobutanecarbonitrile

	CAS No. :	1890510-06-1
	Cat. No. :	A1075365
	Formula :	C <sub>8</sub> H <sub>11</sub> NO
	Purity :	97%
	M.W :	137.18
	Appearance	
	Synonyms :	
	MDL No. :	
	Storage :	Store in 2-8°C for long term (months)
	InChI Key :	GADARORIUIVJMP-UHFFFAOYSA-N
	Pubchem ID :	
	Boiling Point :	252.2±33.0 °C(Predicted)

Safety of [1890510-06-1]			
Signal Word :		Class :	
Precautionary Statements :		UN# :	
Hazard Statements :		Packing Group :	
GHS Pictogram :			

All chemicals from Amadis Chemical are for laboratory or manufacturing use only.

Product Url : <https://www.amadischem.com/product-A1075365>

## Order & Inquiry

0086-571-89925085  
sales@amadischem.com

## Support Team

sales@amadischem.com