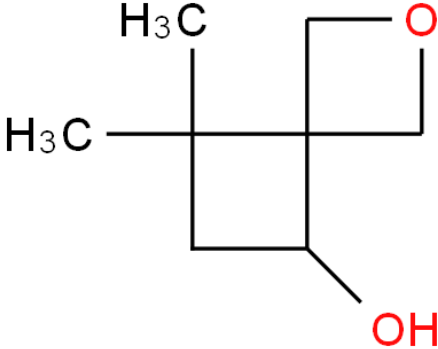


[CAS No.: 2091637-94-2] 7,7-dimethyl-2-oxaspiro[3.3]heptan-5-ol

	CAS No. :	2091637-94-2
	Cat. No. :	A1078071
	Formula :	C ₈ H ₁₄ O ₂
	Purity :	97%
	M.W :	142.20
	Appearance	
	Synonyms :	
	MDL No. :	
	Storage :	Store in 2-8°C for long term (months)
	InChI Key :	WRABRMFMSWGVPN-UHFFFAOYSA-N
	Pubchem ID :	
	Boiling Point :	

Safety of [2091637-94-2]			
Signal Word :		Class :	
Precautionary Statements :		UN# :	
Hazard Statements :		Packing Group :	
GHS Pictogram :			

All chemicals from Amadis Chemical are for laboratory or manufacturing use only.

Product Url : <https://www.amadischem.com/product-A1078071>

Order & Inquiry

0086-571-89925085
sales@amadischem.com

Support Team

sales@amadischem.com