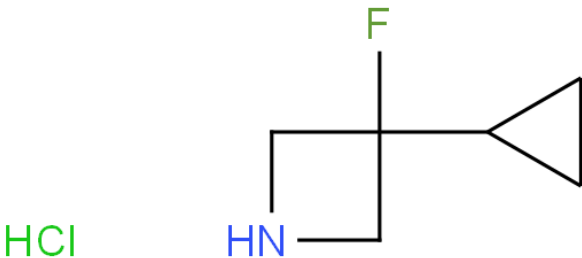


[ CAS No.: 936548-77-5 ] 3-Cyclopropyl-3-fluoroazetidinium hydrochloride

	CAS No. :	936548-77-5
	Cat. No. :	A1094849
	Formula :	C6H11ClFN
	Purity :	97%
	M.W :	151.61
	Appearance	
	Synonyms :	
	MDL No. :	MFCD19442254
	Storage :	Store in 2-8°C for long term (months)
	InChI Key :	NVPLJZDJMOUWKD-UHFFFAOYSA-N
	Pubchem ID :	66589642
	Boiling Point :	

Safety of [936548-77-5]			
Signal Word :		Class :	
Precautionary Statements :		UN# :	
Hazard Statements :		Packing Group :	
GHS Pictogram :			

All chemicals from Amadis Chemical are for laboratory or manufacturing use only.

Product Url : <https://www.amadischem.com/product-A1094849>

## Order & Inquiry

0086-571-89925085  
sales@amadischem.com

## Support Team

sales@amadischem.com