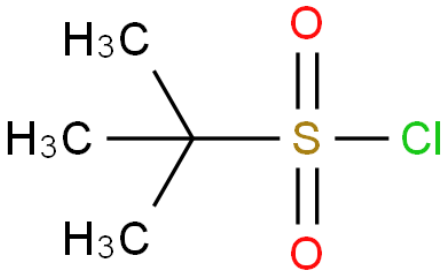


[ CAS No.: 10490-22-9 ] 2-Methylpropane-2-sulfonyl Chloride

	CAS No. :	10490-22-9
	Cat. No. :	A1153646
	Formula :	C4H9ClO2S
	Purity :	97%
	M.W :	156.63
	Appearance	
	Synonyms :	
	MDL No. :	
	Storage :	Store in 2-8°C for long term (months)
	InChI Key :	WFBUQJSXXDVYFZ-UHFFFAOYSA-N
	Pubchem ID :	
	Boiling Point :	

Safety of [10490-22-9]			
Signal Word :		Class :	
Precautionary Statements :		UN# :	
Hazard Statements :		Packing Group :	
GHS Pictogram :			

All chemicals from Amadis Chemical are for laboratory or manufacturing use only.

Product Url : <https://www.amadischem.com/product-A1153646>

## Order & Inquiry

0086-571-89925085  
sales@amadischem.com

## Support Team

sales@amadischem.com