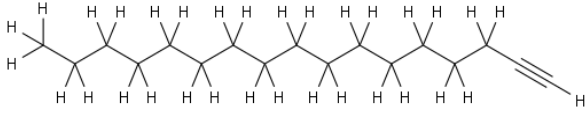


[CAS No.: 26186-00-5] 1-Heptadecyne

	CAS No. :	26186-00-5
	Cat. No. :	A1203224
	Formula :	C ₁₇ H ₃₂
	Purity :	97%
	M.W :	236.44
	Appearance	Undetermined
	Synonyms :	
	MDL No. :	MFCD00015087
	Storage :	Store in 2-8°C for long term (months)
	InChI Key :	DQDNKQWGBZFFRA-UHFFFAOYSA-N
	Pubchem ID :	87570840
	Boiling Point :	298.91°C (estimate)

Safety of [26186-00-5]

Signal Word :		Class :	
Precautionary Statements :	P301+P310+P331-P405-P501	UN# :	
Hazard Statements :	H304	Packing Group :	
GHS Pictogram :			

All chemicals from Amadis Chemical are for laboratory or manufacturing use only.

Product Url : <https://www.amadischem.com/product-A1203224>

Order & Inquiry

0086-571-89925085
sales@amadischem.com

Support Team

sales@amadischem.com