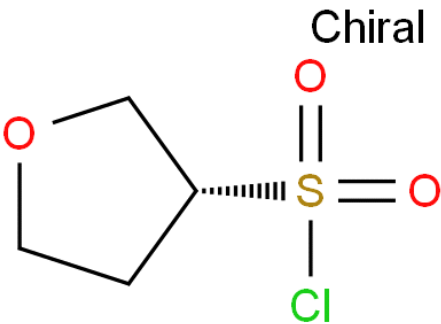


[CAS No.: 1827681-01-5] 3-Furansulfonyl chloride, tetrahydro-, (3R)-

	CAS No. :	1827681-01-5
	Cat. No. :	A1223644
	Formula :	C ₄ H ₇ ClO ₃ S
	Purity :	97%
	M.W :	170.61
	Appearance	
	Synonyms :	
	MDL No. :	
	Storage :	Store in 2-8°C for long term (months)
	InChI Key :	MVZIUOJNVVIOEY-SCSAIBSYSA-N
	Pubchem ID :	98050551
	Boiling Point :	

Safety of [1827681-01-5]			
Signal Word :		Class :	
Precautionary Statements :		UN# :	
Hazard Statements :		Packing Group :	
GHS Pictogram :			

All chemicals from Amadis Chemical are for laboratory or manufacturing use only.

Product Url : <https://www.amadischem.com/product-A1223644>

Order & Inquiry

0086-571-89925085
sales@amadischem.com

Support Team

sales@amadischem.com