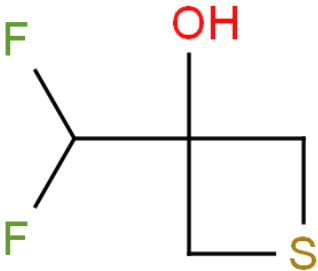


[CAS No.: 1934986-98-7] 3-(difluoromethyl)thietan-3-ol

	CAS No. :	1934986-98-7
	Cat. No. :	A1265001
	Formula :	C ₄ H ₆ F ₂ O S
	Purity :	
	M.W :	140.15
	Appearance	
	Synonyms :	
	MDL No. :	
	Storage :	Store in 2-8°C for long term (months)
	InChI Key :	DPMOJAFVOMVVRL-UHFFFAOYSA-N
	Pubchem ID :	
	Boiling Point :	

Safety of [1934986-98-7]			
Signal Word :	Warning	Class :	
Precautionary Statements :	P261;P305+P351+P338	UN# :	
Hazard Statements :	H302;H315;H319;H335	Packing Group :	
GHS Pictogram :			

All chemicals from Amadis Chemical are for laboratory or manufacturing use only.

Product Url : <https://www.amadischem.com/product-A1265001>

Order & Inquiry

0086-571-89925085
sales@amadischem.com

Support Team

sales@amadischem.com