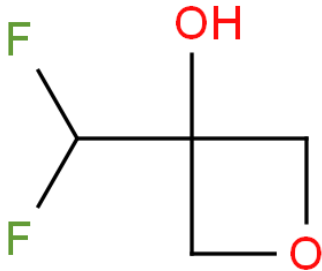


[CAS No.: 1934459-86-5] 3-(difluoromethyl)oxetan-3-ol

	CAS No. :	1934459-86-5
	Cat. No. :	A1265011
	Formula :	C4 H6 F2 O2
	Purity :	
	M.W :	124.09
	Appearance	
	Synonyms :	
	MDL No. :	
	Storage :	Store in 2-8°C for long term (months)
	InChI Key :	XRJWASUGSSGYNI-UHFFFAOYSA-N
	Pubchem ID :	
	Boiling Point :	

Safety of [1934459-86-5]			
Signal Word :	Warning	Class :	
Precautionary Statements :	P261;P305+P351+P338	UN# :	
Hazard Statements :	H302;H315;H319;H335	Packing Group :	
GHS Pictogram :			

All chemicals from Amadis Chemical are for laboratory or manufacturing use only.

Product Url : <https://www.amadischem.com/product-A1265011>

Order & Inquiry

0086-571-89925085
sales@amadischem.com

Support Team

sales@amadischem.com