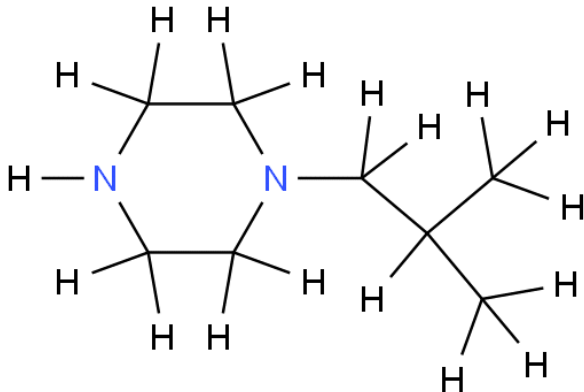


[CAS No.: 5308-28-1] 1-Isobutylpiperazine

	CAS No. :	5308-28-1
	Cat. No. :	A829392
	Formula :	C ₈ H ₁₈ N ₂
	Purity :	97%
	M.W :	142.24
	Appearance	Colorless to light yellow liquid
	Synonyms :	
	MDL No. :	MFCD00190596
	Storage :	Store in 2-8°C for long term (months)
	InChI Key :	HUUQNWZMQSLPMX-UHFFFAOYSA-N
	Pubchem ID :	
	Boiling Point :	65 °C (10 mmHg)

Safety of [5308-28-1]			
Signal Word :		Class :	
Precautionary Statements :		UN# :	
Hazard Statements :		Packing Group :	
GHS Pictogram :			

All chemicals from Amadis Chemical are for laboratory or manufacturing use only.

Product Url : <https://www.amadischem.com/product-A829392>

Order & Inquiry

0086-571-89925085
sales@amadischem.com

Support Team

sales@amadischem.com