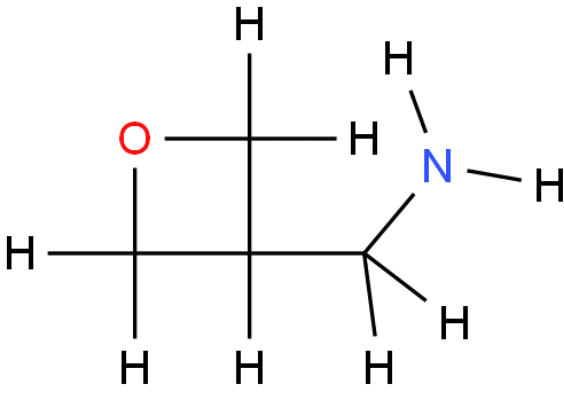


[CAS No.: 6246-05-5] 3-Oxetanemethanamine

	CAS No. :	6246-05-5
	Cat. No. :	A851175
	Formula :	C4H9NO
	Purity :	97%
	M.W :	87.12
	Appearance	
	Synonyms :	
	MDL No. :	MFCD12547197
	Storage :	Store in 2-8°C for long term (months)
	InChI Key :	KTHZBRAXOLUNBN-UHFFFAOYSA-N
	Pubchem ID :	46840007
	Boiling Point :	131°C at 760 mmHg

Safety of [6246-05-5]			
Signal Word :	Danger	Class :	
Precautionary Statements :	P261-P280-P305+P351+P338	UN# :	
Hazard Statements :	H302-H315-H318-H335	Packing Group :	
GHS Pictogram :			

All chemicals from Amadis Chemical are for laboratory or manufacturing use only.

Product Url : <https://www.amadischem.com/product-A851175>

Order & Inquiry

0086-571-89925085
sales@amadischem.com

Support Team

sales@amadischem.com