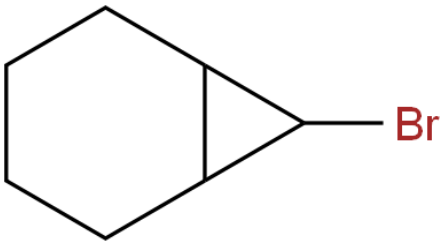


[ CAS No.: 1121-39-7 ] 7-Bromobicyclo[4.1.0]heptane

	CAS No. :	1121-39-7
	Cat. No. :	A894647
	Formula :	C7H11Br
	Purity :	97%
	M.W :	175.07
	Appearance	
	Synonyms :	
	MDL No. :	
	Storage :	Store in 2-8°C for long term (months)
	InChI Key :	LOOMTCQZRVOSSA-UHFFFAOYSA-N
	Pubchem ID :	
	Boiling Point :	

Safety of [1121-39-7]			
Signal Word :		Class :	
Precautionary Statements :		UN# :	
Hazard Statements :		Packing Group :	
GHS Pictogram :			

All chemicals from Amadis Chemical are for laboratory or manufacturing use only.

Product Url : <https://www.amadischem.com/product-A894647>

## Order & Inquiry

0086-571-89925085  
sales@amadischem.com

## Support Team

sales@amadischem.com