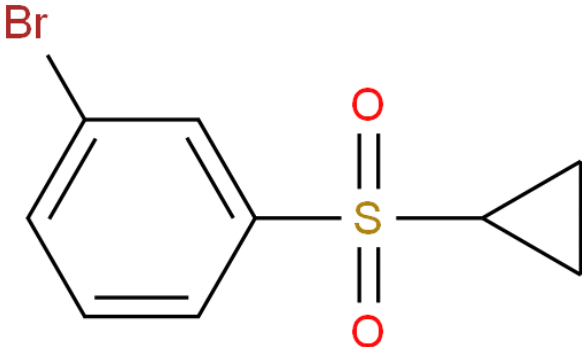


[CAS No.: 19433-09-1] 1-Bromo-3-(cyclopropylsulfonyl)benzene

	CAS No. :	19433-09-1
	Cat. No. :	A903056
	Formula :	C9H9BrO2S
	Purity :	97%
	M.W :	261.14
	Appearance	
	Synonyms :	
	MDL No. :	MFCD21879801
	Storage :	Store in 2-8°C for long term (months)
	InChI Key :	CWHGXRQPQNGBME-UHFFFAOYSA-N
	Pubchem ID :	
	Boiling Point :	

Safety of [19433-09-1]

Signal Word :		Class :	
Precautionary Statements :		UN# :	
Hazard Statements :		Packing Group :	
GHS Pictogram :			

All chemicals from Amadis Chemical are for laboratory or manufacturing use only.

Product Url : <https://www.amadischem.com/product-A903056>

Order & Inquiry

0086-571-89925085
sales@amadischem.com

Support Team

sales@amadischem.com