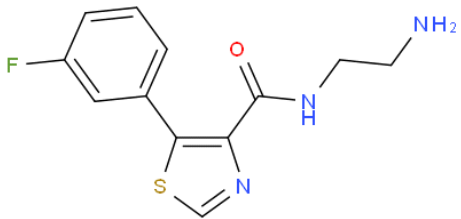


[CAS No.: 127917-66-2] Ro 41-1049 (hydrochloride)

 <p>H — Cl</p>	CAS No. :	127917-66-2
	Cat. No. :	A921450
	Formula :	C ₁₂ H ₁₃ ClFN ₃ OS
	Purity :	97%
	M.W :	301.77
	Appearance	
	Synonyms :	
	MDL No. :	
	Storage :	Store in 2-8°C for long term (months)
	InChI Key :	RRNSPXUFTKJIEZ-UHFFFAOYSA-N
	Pubchem ID :	
	Boiling Point :	

Safety of [127917-66-2]			
Signal Word :		Class :	
Precautionary Statements :		UN# :	
Hazard Statements :		Packing Group :	
GHS Pictogram :			

All chemicals from Amadis Chemical are for laboratory or manufacturing use only.

Product Url : <https://www.amadischem.com/product-A921450>

Order & Inquiry

0086-571-89925085
sales@amadischem.com

Support Team

sales@amadischem.com