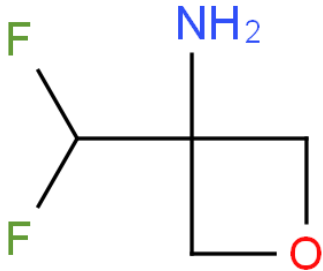


[CAS No.: 1779926-68-9] 3-(Difluoromethyl)oxetan-3-amine

	CAS No. :	1779926-68-9
	Cat. No. :	A978049
	Formula :	C4H7F2NO
	Purity :	97%
	M.W :	123.10
	Appearance	
	Synonyms :	
	MDL No. :	
	Storage :	Store in 2-8°C for long term (months)
	InChI Key :	YKHSRUKDCLHZSS-UHFFFAOYSA-N
	Pubchem ID :	
	Boiling Point :	

Safety of [1779926-68-9]			
Signal Word :		Class :	
Precautionary Statements :		UN# :	
Hazard Statements :		Packing Group :	
GHS Pictogram :			

All chemicals from Amadis Chemical are for laboratory or manufacturing use only.

Product Url : <https://www.amadischem.com/product-A978049>

Order & Inquiry

0086-571-89925085
sales@amadischem.com

Support Team

sales@amadischem.com