



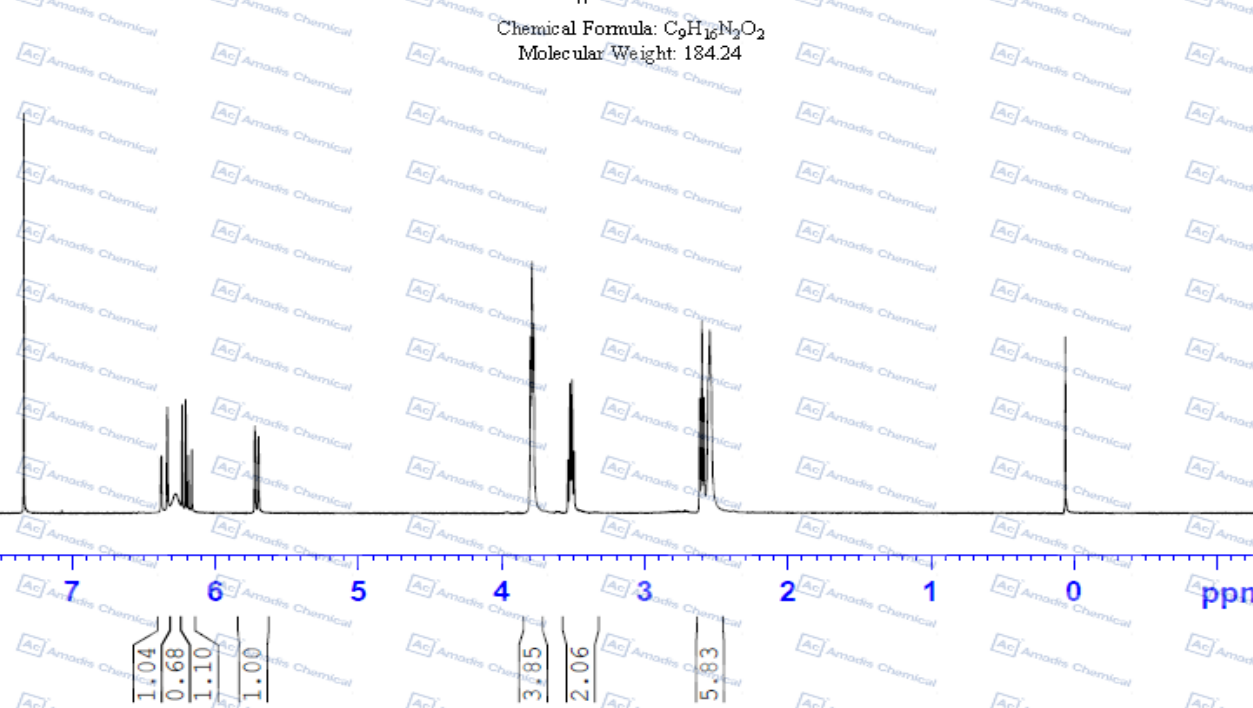
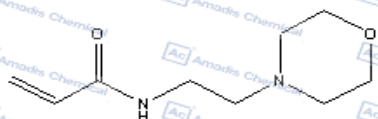
Current Data Parameters  
NAME Amadis chemical  
EXPNO 1912  
PROCNO 1

F2 - Acquisition Parameters

Date\_ 20211126  
Time 14.16 h  
INSTRUM spect  
PROBHD z116098\_0513 (zg30)  
PULPROG zg30  
TD 32768  
SOLVENT CDCl3  
NS 3  
DS 0  
SWH 8012.820 Hz  
FIDRES 0.489064 Hz  
AQ 2.0447233 sec  
RG 198.04  
DW 62.400 usec  
DE 6.50 usec  
TE 293.3 K  
D1 2.00000000 sec  
TD0 1  
SF01 400.1330810 MHz  
NUC1 1H  
P1 3.33 usec  
PLWL 16.66200066 W

F2 - Processing parameters

SI 16384  
SF 400.1299783 MHz  
WDW EM  
SSB 0  
LB 0 Hz  
GB 0  
PC 1.00



\*For R&D use only